


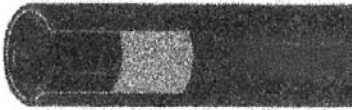
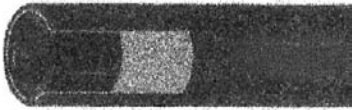
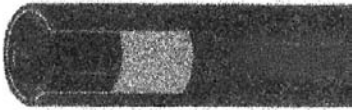
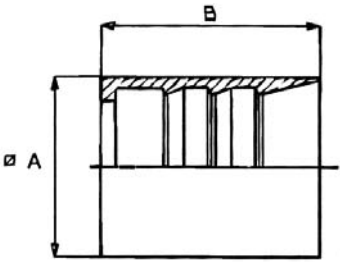
Hose and Hose Fittings



Hose and Hose Fittings

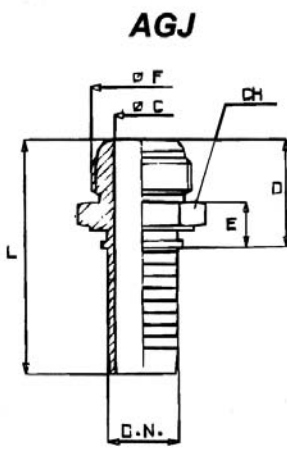
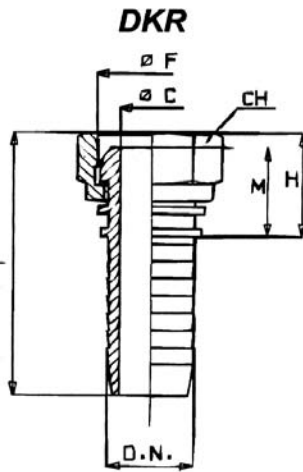
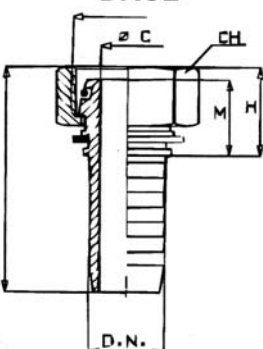
	Part No.	Description	Price (ZAR)
	SAE 100 RIT DIN 20022		
	S471 - 4		
	S471 - 5		
	S471 - 6		
	S471 - 8		
	S471 - 10		
	S471 - 12		
	S471 - 16		
	S471 - 20		
	S471 - 24		
	S471 - 32		
	SAE 100 R2A PVC NITRILE COVER		
	S290 - 4		
	S290 - 6		
	S290 - 8		
	S290 - 10		
	S290 - 12		
	S290 - 16		
	S290 - 20		
	S290 - 24		
	S290 - 32		
		SAE 100 R2AT DIN 20022	
S425 - 4			
S425 - 5			
S425 - 6			
S425 - 8			
S425 - 10			
S425 - 12			
S425 - 16			
S425 - 20			
S425 - 24			
S425 - 32			
	SAE 100 R5 TEXTILE COVER		
	S69 - 4		
	S69 - 5		
	S69 - 6		
	S69 - 8		
	S69 - 10		
	S69 - 12		
	S69 - 16		
	S69 - 20		
	S69 - 24		
	S69 - 32		

Hose and Hose Fittings

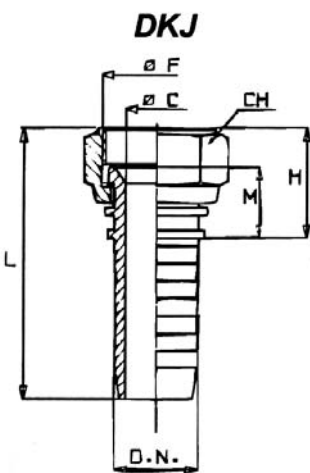
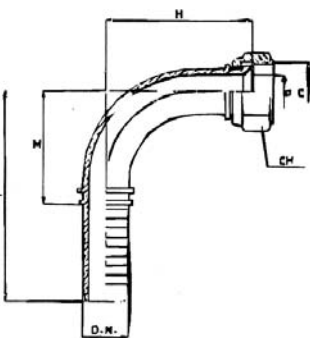
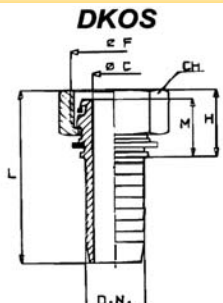
	Part No.	Description	Price (ZAR)	
		SAE 100 R12 FOUR SPIRAL HOSE		
	XT3 - 06			
	XT3 - 08			
	XT3 - 10			
	XT3 - 12			
	XT3 - 16			
	XT3 - 20			
	XT3 - 24			
	XT3 - 32			
		PUSH LOCK		
	SI01 - 4			
	SI01 - 6			
	SI01 - 8			
	SI01 - 10			
	SI01 - 12			
		AIR HOSE		
	HOR - 4			
	HOR - 5			
	HOR - 6			
	HOR - 8			
	HOR - 10			
	HOR - 12			
	HOR - 16			
		AIRCON HOSE		
	FREON - 06			
	FREON - 08			
	FREON - 10			
	FREON - 12			
		I & 2 WIRE SKIVE CRIMP FERRULE		
	PF 12 06	-4		
	PF 12 10	-6		
	PF 12 13	-8		
	PF 12 16	-10		
	PF 12 19	-12		
	PF 12 25	-16		
	PF 12 32	-20		
	PF 12 38	-24		
	PF 12 50	-32		
		I & 2 WIRE NON SKIVE CRIMP FERRULE		
	PF 22 06	-4		
	PF 22 08	-5		
	PF 22 10	-6		
	PF 22 13	-8		
PF 22 16	-10			
PF 22 19	-12			
PF 22 25	-16			
PF 22 32	-20			
PF 22 38	-24			
PF 22 50	-32			

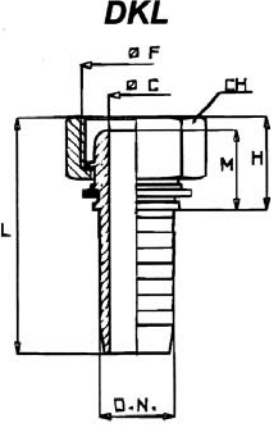
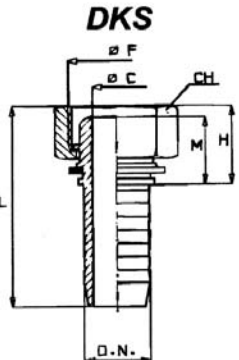
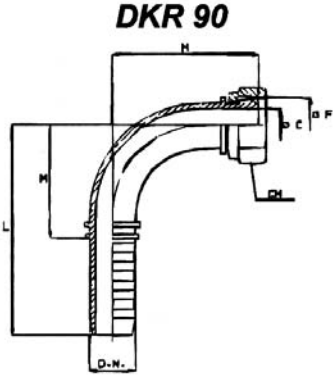
Hose and Hose Fittings

	Part No.	Description	Price (ZAR)
	NPT MALE		
	AGN 1/4 x 06	-4-4	
	AGN 3/8 x 10	-6-6	
	AGN 1/2 x 10	-8-6	
	AGN 1/2 x 13	-8-8	
	AGN 3/4 x 16	-10-12	
	AGN 3/4 x 19	-12-12	
	AGN 1" x 19	-16-12	
	AGN 1" x 25	-16-16	
	AGN 1 1/4 x 25	-20-16	
	AGN 1 1/4 x 32	-20-20	
	AGN 1 1/2 x 38	-24-24	
	AGN 2" x 50	-32-32	
		BSP MALE	
AGR 1/4 x 06		-4-4	
AGR 3/8 x 10		-6-6	
AGR 1/2 x 10		-8-6	
AGR 1/2 x 13		-8-8	
AGR 5/8 x 13		-10-8	
AGR 5/8 x 16		-10-10	
AGR 3/4 x 16		-12-10	
AGR 3/4 x 19		-12-12	
AGR 1" x 19		-16-12	
AGR 1" x 25		-16-16	
AGR 1 1/4 x 25		-20-16	
AGR 1 1/4 x 32		-20-20	
AGR 1 1/2 x 38		-24-24	
AGR 2" x 50	-32-32		
	METRIC MALE LIGHT SERIES		
	CEL 08L x 06	14 x 1.5 - 04	
	CEL 10L x 10	16 x 1.5 - 06	
	CEL 12L x 10	18 x 1.5 - 06	
	CEL 15L x 13	22 x 1.5 - 08	
	CEL 18L x 16	26 x 1.5 - 10	
	CEL 22L x 19	30 x 2.0 - 12	
	CEL 28L x 25	36 x 2.0 - 16	
	CEL 35L x 32	45 x 2.0 - 20	
	CEL 42L x 38	52 x 2.0 - 24	
	METRIC MALE HEAVY SERIES		
	CES 08S x 06	18 x 1.5 - 04	
	CES 10S x 08	20 x 1.5 - 05	
	CES 12S x 10	20 x 1.5 - 06	
	CES 14S x 10	22 x 1.5 - 06	
	CES 16S x 13	24 x 1.5 - 08	
	CES 20S x 16	20 x 2.0 - 10	
	CES 25S x 19	36 x 2.0 - 12	
	CES 30S x 25	42 x 2.0 - 16	
	CES 38S x 32	52 x 2.0 - 20	

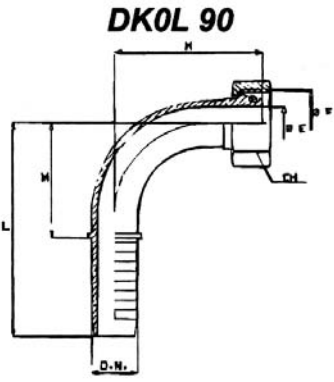
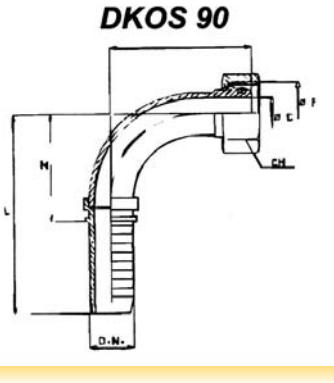
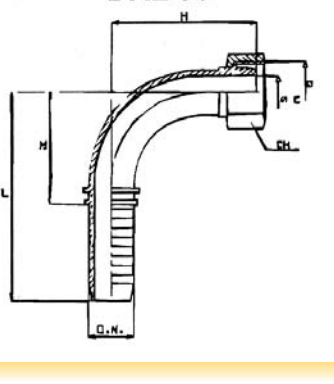
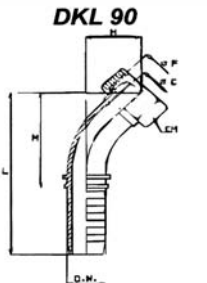
	Part No.	Description	Price (ZAR)
 <p>AGJ</p>	JIC MALE		
	AGJ 7/16-20 x 06	- 4 - 4	
	AGJ 1/2-20 x 06	- 5 - 4	
	AGJ 9/16-18 x 08	- 6 - 5	
	AGJ 9/16-18 x 10	- 6 - 6	
	AGJ 3/4-16 x 10	- 8 - 6	
	AGJ 3/4-16 x 13	- 8 - 8	
	AGJ 7/8 x 10	- 10 - 6	
	AGJ 7/8-14 x 13	- 10 - 8	
	AGJ 7/8-14 x 16	- 10 - 10	
	AGJ 1 1/16-12 x 16	- 12 - 10	
	AGJ 1 1/16-12 x 19	- 12 - 12	
	AGJ 1 5/16-12 x 25	- 16 - 16	
	AGJ 1 5/8 x 32	- 20 - 20	
 <p>DKR</p>	BSP FEMALE		
	DKR 1/4 x 06	- 4 - 4	
	DKR 3/8 x 10	- 6 - 6	
	DKR 1/2 x 10	- 8 - 6	
	DKR 1/2 x 13	- 8 - 8	
	DKR 5/8 x 13	- 10 - 8	
	DKR 5/8 x 16	- 10 - 10	
	DKR 3/4 x 16	- 12 - 10	
	DKR 3/4 x 19	- 12 - 12	
	DKR 1" x 19	- 16 - 12	
	DKR 1" x 25	- 16 - 16	
	DKR 1 1/4 x 25	- 20 - 16	
	DKR 1 1/4 x 32	- 20 - 20	
	DKR 1 1/2 x 38	- 24 - 24	
DKR 2" x 50	- 32 - 32		
 <p>DKOL</p>	METRIC FEMALE LIGHT SERIES WITH O-RING		
	DKOL 08L x 06	14 x 1.5 - 04	
	DKOL 10L x 08	16 x 1.5 - 05	
	DKOL 10L x 10	16 x 1.5 - 06	
	DKOL 12L x 10	18 x 1.5 - 06	
	DKOL 15L x 13	22 x 1.5 - 08	
	DKOL 18L x 16	26 x 1.5 - 10	
	DKOL 22L x 19	30 x 2.0 - 12	
	DKOL 28L x 25	36 x 2.0 - 16	
	DKOL 35L x 32	45 x 2.0 - 20	
DKOL 42L x 38	52 x 2.0 - 24		

Hose and Hose Fittings

	Part No.	Description	Price (ZAR)
 <p>DKJ</p>	JIC FEMALE		
	DKJ 7/16 - 20 x 06	- 4 - 4	
	DKJ 1/2 - 20 x 06	- 5 - 4	
	DKJ 9/16 - 16 x 06	- 6 - 4	
	DKJ 9/16 - 18 x 08	- 6 - 5	
	DKJ 9/16 - 18 x 10	- 6 - 6	
	DKJ 3/4 - 16 x 10	- 8 - 6	
	DKJ 3/4 - 16 x 13	- 8 - 8	
	DKJ 7/8 x 10	- 10 - 6	
	DKJ 7/8 - 14 x 13	- 10 - 8	
	DKJ 7/8 - 14 x 16	- 10 - 10	
	DKJ 1 1/16 - 12 x 16	- 12 - 16	
	DKJ 1 1/16 - 12 x 19	- 12 - 12	
	DKJ 1 5/16 - 12 x 25	- 16 - 16	
	DKJ 1 5/8 - 12 x 32	- 20 - 20	
	DKJ 1 7/8 - 12 x 38	- 24 - 24	
	DKJ 2 1/2 x 50	- 32 - 32	
	 <p>DKJ 90</p>	JIC FEMALE 90	
DKJ 90 7/16 x 06		- 4 - 4	
DKJ 90 1/2 x 06		- 5 - 4	
DKJ 90 9/16 x 06		- 6 - 4	
DKJ 90 9/16 x 08		- 6 - 5	
DKJ 90 9/16 x 10		- 6 - 6	
DKJ 90 3/4 x 10		- 8 - 8	
DKJ 90 3/4 x 13		- 8 - 8	
DKJ 90 7/8 x 10		- 10 - 6	
DKJ 90 7/8 x 13		- 10 - 8	
DKJ 90 7/8 x 16		- 10 - 10	
DKJ 90 1 1/16 x 16		- 12 - 10	
DKJ 90 1 1/16 x 19		- 12 - 12	
DKJ 90 1 5/16 x 25		- 16 - 16	
DKJ 90 1 5/8 x 32		- 20 - 20	
DKJ 90 1 7/8 x 38		- 24 - 24	
DKJ 90 2 1/2 x 50		- 32 - 32	
 <p>DKOS</p>		METRIC FEMALE HEAVY SERIES WITH O-RING	
	DKOS 10S x 06	18 x 1.5 - 04	
	DKOS 12S x 08	20 x 1.5 - 05	
	DKOS 12S x 10	20 x 1.5 - 06	
	DKOS 14S x 06	22 x 1.5 - 06	
	DKOS 16S x 13	24 x 1.5 - 08	
	DKOS 20S x 16	30 x 2.0 - 10	
	DKOS 25S x 19	36 x 2.0 - 12	
	DKOS 30S x 25	42 x 2.0 - 16	
	DKOS 38S x 32	52 x 2.0 - 20	

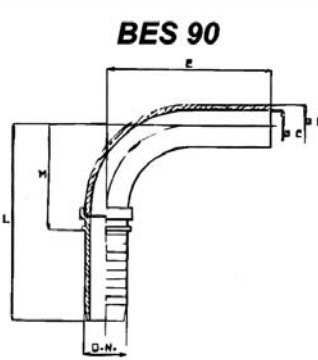
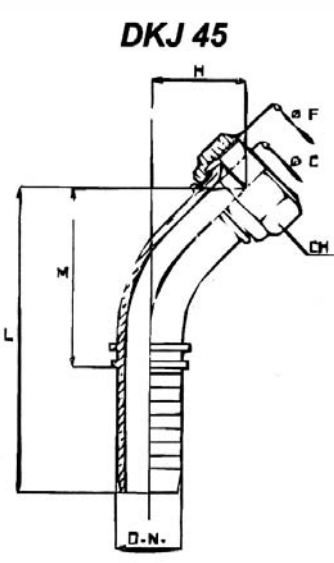
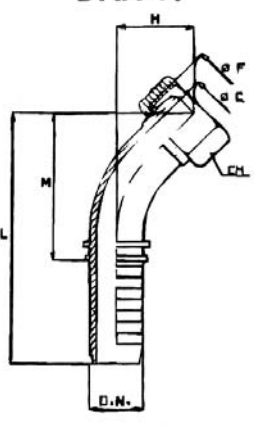
	Part No.	Description	Price (ZAR)
 <p>DKL</p>	METRIC FEMALE LIGHT SERIES		
	DKL 08L x 06	14 x 1.5 - 04	
	DKL 10L x 08	16 x 1.5 - 05	
	DKL 10L x 10	16 x 1.5 - 06	
	DKL 12L x 10	18 x 1.5 - 06	
	DKL 15L x 13	22 x 1.5 - 06	
	DKL 18L x 16	26 x 1.5 - 10	
	DKL 22L x 19	30 x 2.0 - 12	
	DKL 28L x 25	36 x 2.0 - 16	
	DKL 35L x 32	45 x 2.0 - 20	
DKL 42L x 38	52 x 2.0 - 24		
 <p>DKS</p>	METRIC FEMALE HEAVY SERIES		
	DKS 10S x 06	18 x 1.5 - 04	
	DKS 12S x 08	20 x 1.5 - 05	
	DKS 12S x 10	20 x 1.5 - 06	
	DKS 14S x 10	22 x 1.5 - 06	
	DKS 16S x 13	24 x 1.5 - 08	
	DKS 20S x 16	30 x 2.0 - 10	
	DKS 25S x 19	36 x 2.0 - 12	
DKS 30S x 25	42 x 2.0 - 16		
DKS 38S x 32	52 x 2.0 - 20		
 <p>DKR 90</p>	BSP FEMALE 90		
	DKR 90 1/4 x 06	- 4 - 4	
	DKR 90 3/8 x 08	- 4 - 5	
	DKR 90 3/8 x 10	- 6 - 6	
	DKR 90 1/2 x 10	- 8 - 6	
	DKR 90 1/2 x 13	- 8 - 8	
	DKR 90 5/8 x 13	- 10 - 8	
	DKR 90 5/8 x 16	- 10 - 10	
	DKR 90 3/4 x 16	- 12 - 10	
	DKR 90 3/4 x 19	- 12 - 12	
	DKR 90 1" x 19	- 16 - 12	
	DKR 90 1" x 25	- 16 - 16	
	DKR 90 1 1/4 x 25	- 20 - 16	
	DKR 90 1 1/4 x 32	- 20 - 20	
	DKR 90 1 1/2 x 38	- 24 - 24	
DKR 2" x 50	- 32 - 32		

Hose and Hose Fittings

	Part No.	Description	Price (ZAR)
 <p>DKOL 90</p>	METRIC FEMALE 90 LIGHT SERIES WITH O-RING		
	DKOL 90 08L x 06	14 x 1.5 - 04	
	DKOL 90 10L x 08	16 x 1.5 - 05	
	DKOL 90 10L x 10	16 x 1.5 - 06	
	DKOL 90 12L x 10	18 x 1.5 - 06	
	DKOL 90 15L x 13	22 x 1.5 - 08	
	DKOL 90 18L x 16	26 x 1.5 - 10	
	DKOL 90 22L x 19	30 x 2.0 - 12	
	DKOL 90 28L x 25	36 x 2.0 - 16	
	DKOL 90 35L x 32	45 x 2.0 - 20	
	DKOL 90 42L x 38	52 x 2.0 - 24	
 <p>DKOS 90</p>	METRIC FEMALE 90 LIGHT SERIES WITH O-RING		
	DKOS 90 10S x 06	18 x 1.5 - 04	
	DKOS 90 12S x 08	20 x 1.5 - 05	
	DKOS 90 12S x 10	20 x 1.5 - 06	
	DKOS 90 14S x 10	22 x 1.5 - 06	
	DKOS 90 16S x 13	24 x 1.5 - 08	
	DKOS 90 20S x 16	30 x 2.0 - 10	
	DKOS 90 25S x 19	36 x 2.0 - 12	
	DKOS 90 30S x 25	42 x 2.0 - 16	
	DKOS 90 38S x 32	52 x 2.0 - 20	
 <p>DKL 90</p>	METRIC FEMALE 90 LIGHT SERIES		
	DKL 90 08L x 06	14 x 1.5 - 04	
	DKL 90 10L x 08	16 x 1.5 - 05	
	DKL 90 10L x 10	16 x 1.5 - 06	
	DKL 90 12L x 10	18 x 1.5 - 06	
	DKL 90 15L x 13	22 x 1.5 - 10	
	DKL 90 18L x 16	26 x 1.5 - 10	
	DKL 90 22L x 19	30 x 2.0 - 12	
	DKL 90 28L x 25	36 x 2.0 - 16	
	DKL 90 35L x 32	45 x 2.0 - 20	
DKL 90 42L x 38	52 x 2.0 - 24		
 <p>DKS 90</p>	METRIC FEMALE LIGHT SERIES		
	DKS 90 10S x 06	18 x 1.5 - 04	
	DKS 90 12S x 08	20 x 1.5 - 05	
	DKS 90 12S x 10	20 x 1.5 - 06	
	DKS 90 14S x 10	22 x 1.5 - 06	
	DKS 90 16S x 13	24 x 1.5 - 08	
	DKS 90 20S x 16	20 x 2.0 - 10	
DKS 90 25S x 19	35 x 2.0 - 12		

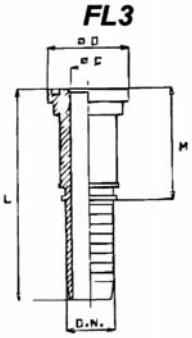
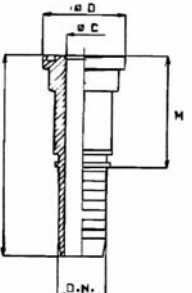
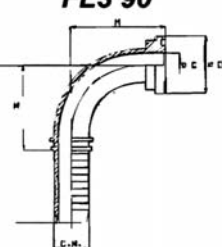
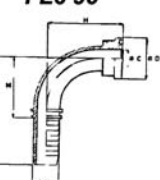
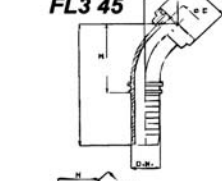
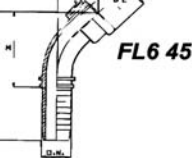
	Part No.	Description	Price (ZAR)
STRAIGHT STANDPIPE LIGHT SERIES			
<p>BEL</p>	BEL 06L x 06		
	BEL 08L x 06		
	BEL 10L x 08		
	BEL 10L x 10		
	BEL 12L x 10		
	BEL 15L x 13		
	BEL 18L x 13		
	BEL 18L x 16		
	BEL 22L x 19		
	BEL 25L x 25		
	BEL 35L x 32		
BEL 42L x 38			
STRAIGHT STANDPIPE HEAVY SERIES			
<p>BES</p>	BES 08S x 06		
	BES 10S x 06		
	BES 12S x 08		
	BES 14S x 10		
	BES 16S x 13		
	BES 20S x 16		
	BES 20S x 19		
	BES 25S x 19		
	BES 30S x 25		
BES 38S x 32			
STANDPIPE 90 LIGHT SERIES			
<p>BEL 90</p>	BEL 90 06L x 06		
	BEL 90 08L x 06		
	BEL 90 10L x 08		
	BEL 90 10L x 10		
	BEL 90 12L x 10		
	BEL 90 15L x 13		
	BEL 90 18L x 16		
	BEL 90 22L x 19		
	BEL 90 28L x 25		
	BEL 90 35L x 32		
	BEL 90 42L x 38		

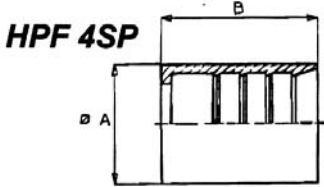
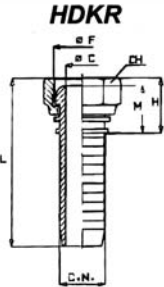
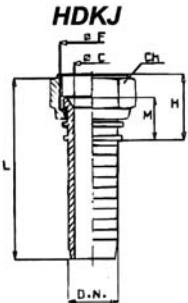
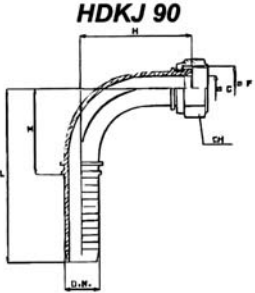
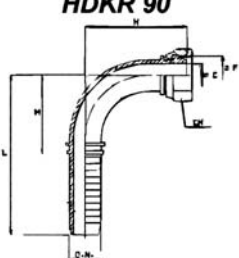
Hose and Hose Fittings

	Part No.	Description	Price (ZAR)
 <p>BES 90</p>		STANDPIPE 90 HEAVY SERIES	
	BES 90 10S x 06		
	BES 90 12S x 08		
	BES 90 14S x 10		
	BES 90 16S x 13		
	BES 90 20S x 16		
	BES 90 20S x 19		
	BES 90 25S x 19		
	BES 90 30S x 25		
	BES 90 38S x 32		
 <p>DKJ 45</p>		JIC FEMALE 45	
	DKJ 45 7/16 x 06	- 4 - 4	
	DKJ 45 1/2 x 06	- 5 - 4	
	DKJ 45 9/16 x 06	- 6 - 4	
	DKJ 45 9/16 x 08	- 6 - 5	
	DKJ 45 9/16 x 10	- 6 - 6	
	DKJ 45 3/4 x 10	- 8 - 6	
	DKJ 45 3/4 x 13	- 8 - 8	
	DKJ 45 7/8 x 10	- 10 - 6	
	DKJ 45 7/8 x 13	- 10 - 8	
	DKJ 45 7/8 x 16	- 10 - 10	
	DKJ 45 1 1/16 x 16	- 12 - 10	
	DKJ 45 1 1/16 x 19	- 12 - 12	
	DKJ 45 1 5/16 x 25	- 16 - 16	
	DKJ 45 1 5/8 x 32	- 20 - 20	
	DKJ 45 1 7/8 x 38	- 24 - 24	
	DKJ 45 2 1/2 x 50	- 32 - 32	
 <p>DKR 45</p>		SWIVEL FEMALE 45	
	DKR 45 1/4 x 06	- 4 - 4	
	DKR 45 3/8 x 10	- 6 - 6	
	DKR 45 1/2 x 10	- 8 - 6	
	DKR 45 1/2 x 13	- 8 - 8	
	DKR 45 5/8 x 13	- 10 - 8	
	DKR 45 5/8 x 16	- 10 - 10	
	DKR 45 3/4 x 16	- 12 - 10	
	DKR 45 3/4 x 19	- 12 - 12	
	DKR 45 1" x 19	- 16 - 12	
	DKR 45 1" x 25	- 16 - 16	
	DKR 45 1 1/4 x 25	- 20 - 16	
	DKR 45 1 1/4 x 32	- 20 - 20	
	DKR 45 1 1/2 x 38	- 24 - 24	
	DKR 45 2" x 50	- 32 - 32	

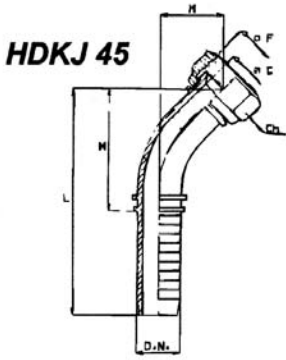
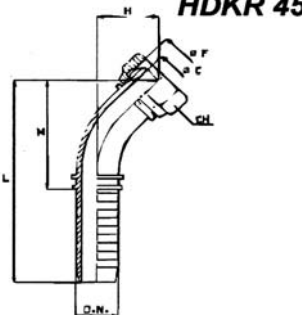
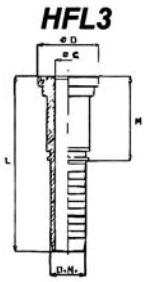
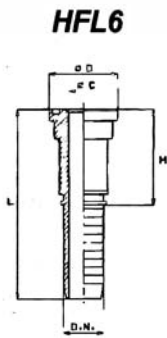
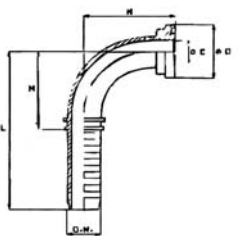
	Part No.	Description	Price (ZAR)
<p>DKOL 45</p>	SWIVEL FEMALE 45 LIGHT SERIES		
	DKOL 45 08L x 06	14 x 1.5 - 04	
	DKOL 45 10L x 10	16 x 1.5 - 06	
	DKOL 45 12L x 10	18 x 1.5 - 06	
	DKOL 45 15L x 13	22 x 1.5 - 10	
	DKOL 45 18L x 16	26 x 1.5 - 10	
	DKOL 45 22L x 19	30 x 2.0 - 12	
	DKOL 45 28L x 25	36 x 2.0 - 16	
	DKOL 45 35L x 32	45 x 2.0 - 20	
	DKOL 45 42L x 38	52 x 2.0 - 24	
<p>DKOS 45</p>	METRIC FEMALE HEAVY SERIES		
	DKOS 45 10S x 06	18 x 1.5 - 04	
	DKOS 45 12S x 08	20 x 1.5 - 05	
	DKOS 45 12S x 10	20 x 1.5 - 06	
	DKOS 45 14S x 10	22 x 1.5 - 06	
	DKOS 45 16S x 13	24 x 1.5 - 08	
	DKOS 45 20S x 16	30 x 2.0 - 10	
	DKOS 45 25S x 19	36 x 2.0 - 12	
	DKOS 45 30S x 25	42 x 2.0 - 16	
DKOS 45 38S x 32	52 x 2.0 - 20		
<p>DKL 45</p>	METRIC FEMALE 45 LIGHT SERIES		
	DKL 45 08L x 06	14 x 1.5 - 04	
	DKL 45 10L x 08	16 x 1.5 - 05	
	DKL 45 10L x 10	16 x 1.5 - 06	
	DKL 45 12L x 10	18 x 1.5 - 06	
	DKL 45 15L x 13	22 x 1.5 - 08	
	DKL 45 18L x 16	26 x 1.5 - 10	
	DKL 45 22L x 19	30 x 2.0 - 12	
	DKL 45 28L x 25	36 x 2.0 - 16	
	DKL 45 35L x 32	42 x 2.0 - 20	
DKL 45 42L x 38	52 x 2.0 - 24		
<p>DKS 45</p>	METRIC FEMALE 45 HEAVY SERIES		
	DKS 45 10S x 06	18 x 1.5 - 04	
	DKS 45 12S x 08	20 x 1.5 - 05	
	DKS 45 12S x 10	20 x 1.5 - 06	
	DKS 45 14S x 10	22 x 1.5 - 06	
	DKS 45 16S x 13	24 x 1.5 - 08	
	DKS 45 20S x 16	30 x 2.0 - 10	
	DKS 45 25S x 19	36 x 2.0 - 12	
	DKS 45 30S x 25	45 x 2.0 - 16	
	DKS 45 38S x 32	52 x 2.0 - 20	

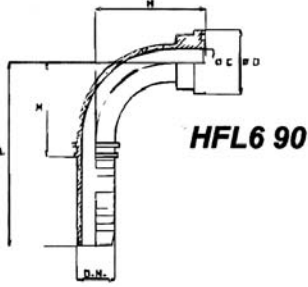
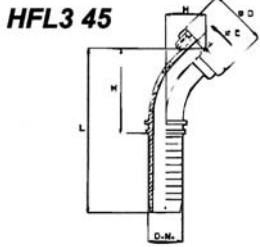
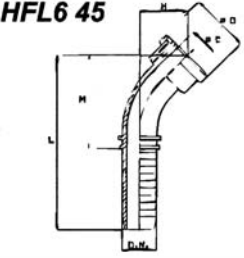
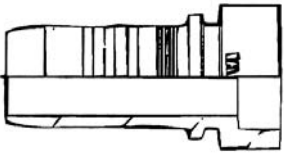
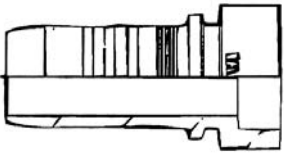
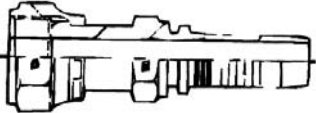
Hose and Hose Fittings

	Part No.	Description	Price (ZAR)
 <p>FL3</p>	SAE STRAIGHT FLANGE 3000 PSI		
		FL 3 1/2 x 13	
		FL 3 3/4 x 19	
		FL 3 1" x 19	
		FL 3 1" x 25	
		FL 3 1 1/4 x 25	
		FL 3 1 1/2 x 32	
		FL 3 1 1/2 x 38	
		FL 3 2" x 38	
		FL 3 2" x 50	
 <p>FL6</p>	SAE STRAIGHT FLANGE 6000 PSI		
		FL 6 1/2 x 13	
		FL 6 3/4 x 19	
		FL 6 1" x 19	
		FL 6 1" x 25	
		FL 6 1 1/4 x 25	
 <p>FL3 90</p>	SAE 90 FLANGE 3000 PSI		
		FL 3 90 1/2 x 13	
		FL 3 90 3/4 x 19	
		FL 3 90 1" x 19	
		FL 3 90 1" x 25	
		FL 3 90 1 1/4 x 25	
		FL 3 90 1 1/4 x 32	
		FL 3 90 1 1/2 x 38	
		FL 3 90 2" x 38	
		FL 3 90 2" x 50	
 <p>FL6 90</p>	SAE 90 FLANGE 6000 PSI		
		FL 6 90 1/2 x 13	
		FL 6 90 3/4 x 19	
		FL 6 90 1" x 19	
		FL 6 90 1" x 25	
		FL 6 90 1 1/4 x 25	
 <p>FL3 45</p>	SAE 45 FLANGE 3000 PSI		
		FL 3 45 1/2 x 13	
		FL 3 45 3/4 x 19	
 <p>FL6 45</p>	SAE 45 FLANGE 6000 PSI		
		FL 6 45 1" x 19	
		FL 6 45 1" x 25	
		FL 6 45 1 1/4 x 25	
		FL 6 45 1 1/4 x 25	

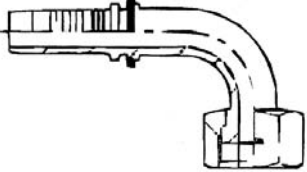
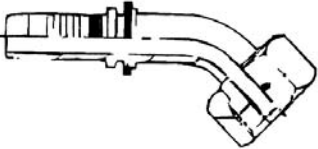

	Part No.	Description	Price (ZAR)
MULTI SPIRAL COLLAR			
 <p>HPF 4SP</p>	HPF x 4SP - 13		
	HPF x 4SP - 16		
	HPF x 4SP - 19		
	HPF x 4SP - 25		
	HPF x 4SP - 32		
	HPF x 4SP - 38		
	HPF x 4SP - 50		
BSP MULTI SPIRAL FITTING			
 <p>HDKR</p>	HDKR 5/8 x 16		
	HDKR 3/4 x 19		
	HDKR 1" x 19		
	HDKR 1" x 25		
	HDKR 1 1/4 x 25		
	HDKR 1 1/4 x 32		
	HDKR 1 1/2 x 38		
HDKR 2" x 50			
JIC MULTI SPIRAL FITTING			
 <p>HDKJ</p>	HDKJ 3/4 x 13		
	HDKJ 7/8 x 13		
	HDKJ 7/8 x 16		
	HDKJ 1 1/16 x 16		
	HDKJ 1 1/16 x 19		
	HDKJ 1 5/16 x 25		
	HDKJ 1 5/8 x 32		
	HDKJ 1 7/8 x 38		
	HDKJ 2 1/2 x 50		
JIC 90 SPIRAL FITTING			
 <p>HDKJ 90</p>	HDKJ 90 3/4 x 13		
	HDKJ 90 7/8 x 13		
	HDKJ 90 7/8 x 16		
	HDKJ 90 1 1/16 x 16		
	HDKJ 90 1 1/16 x 19		
	HDKJ 90 1 5/16 x 25		
	HDKJ 90 1 5/8 x 32		
	HDKJ 90 1 7/8 x 38		
	HDKJ 90 2 1/2 x 50		
BSP 90 SPIRAL FITTING			
 <p>HDKR 90</p>	HDKR 90 1/2 x 13		
	HDKR 90 5/8 x 16		
	HDKR 90 3/4 x 19		
	HDKR 90 1" x 19		
	HDKR 90 1" x 25		
	HDKR 90 1 1/4 x 25		
	HDKR 90 1 1/4 x 32		
	HDKR 90 1 1/2 x 38		

Hose and Hose Fittings

	Part No.	Description	Price (ZAR)	
 <p>HDKJ 45</p>		JIC 45 SPIRAL FITTING		
		HDKJ 45 3/4 x 13		
		HDKJ 45 7/8 x 13		
		HDKJ 45 7/8 x 16		
		HDKJ 45 1 1/16 x 16		
		HDKJ 45 1 1/16 x 19		
		HDKJ 45 1 5/8 x 25		
		HDKJ 45 1 5/8 x 32		
		HDKJ 45 1 7/8 x 38		
		HDKJ 45 1 1/2 x 50		
 <p>HDKR 45</p>		BSP 45 SPIRAL FITTING		
		HDKR 45 1/2 x 13		
		HDKR 45 5/8 x 16		
		HDKR 45 3/4 x 19		
		HDKR 45 1" x 19		
		HDKR 45 1" x 25		
		HDKR 45 1 1/4 x 25		
		HDKR 45 1 1/4 x 32		
		HDKR 45 1 1/2 x 38		
		HDKR 45 2" x 50		
 <p>HFL3</p>		MULTI SPIRAL FLANGE 3000 PSI		
		HFL 3 3/4 x 19		
		HFL 3 1" x 19		
		HFL 3 1" x 25		
		HFL 3 1 1/4 x 25		
		HFL 3 1 1/4 x 32		
 <p>HFL6</p>		MULTI SPIRAL FLANGE 6000 PSI		
		HFL 6 1/2 x 13		
		HFL 6 3/4 x 19		
		HFL 6 1" x 19		
		HFL 6 1" x 25		
		HFL 6 1 1/4 x 25		
		HFL 6 1 1/4 x 32		
		HFL 6 1 1/2 x 38		
		HFL 6 2" x 50		
	 <p>HFL3 90</p>		MULTI SPIRAL FLANGE 90 3000 PSI	
		HFL 3 90 1/2 x 13		
		HFL 3 90 3/4 x 19		
		HFL 3 90 1" x 19		
		HFL 3 90 1" x 25		
		HFL 3 90 1 1/4 x 25		
		HFL 3 90 1 1/4 x 32		
	HFL 3 90 2" x 50			

	Part No.	Description	Price (ZAR)
 <p>HFL6 90</p>	MULTI SPIRAL FLANGE 90 6000 PSI		
	HFL 6 90 1/2 x 13		
	HFL 6 90 3/4 x 19		
	HFL 6 90 1" x 19		
	HFL 6 90 1" x 25		
	HFL 6 90 1 1/4 x 25		
	HFL 6 90 1 1/4 x 32		
	HFL 6 90 1 1/2 x 38		
	HFL 6 90 2" x 50		
 <p>HFL3 45</p>	MULTI SPIRAL FLANGE 45 3000 PSI		
	HFL 3 45 1/2 x 13		
	HFL 3 45 3/4 x 19		
	HFL 3 45 1" x 19		
	HFL 3 45 1" x 25		
	HFL 3 45 1 1/4 x 25		
	HFL 3 45 1 1/4 x 32		
 <p>HFL6 45</p>	MULTI SPIRAL FLANGE 45 6000 PSI		
	HFL 6 45 1/2 x 13		
	HFL 6 45 3/4 x 13		
	HFL 6 45 1" x 19		
	HFL 6 45 1" x 25		
	HFL 6 45 1 1/4 x 25		
	HFL 6 45 1 1/4 x 32		
	HFL 6 45 1 1/2 x 38		
HFL 6 45 2" x 50			
	BLANK TAILS		
	STS - 04		
	STS - 05		
	STS - 06		
	STS - 08		
	STS - 10		
	STS - 12		
	STS - 16		
	STS - 20		
	STS - 24		
	SAE		
	S106S6 SW06S6		
	ORF STRAIGHT FEMALE		
	ORF 9/16 x 06		
	ORF 1 1/16 x 10		
	ORF 1 3/16 x 13		
	ORF 1 x 16		
	ORF 1 3/16 x 19		
ORF 1 7/16 x 25			

Hose and Hose Fittings

	Part No.	Description	Price (ZAR)
		ORF 90 FEMALE	
		ORF 90 $\frac{9}{16}$ x 06	
		ORF 90 $1 \frac{1}{16}$ x 10	
		ORF 90 $1 \frac{3}{16}$ x 13	
		ORF 90 $1 \frac{3}{16}$ x 19	
		ORF 90 $1 \frac{7}{16}$ x 25	
		ORF 45 FEMALE	
		ORF 45 $\frac{9}{16}$ x 06	
		ORF 45 $1 \frac{3}{16}$ x 13	
		ORF 45 $1 \frac{3}{16}$ x 19	
		ORF 45 $1 \frac{7}{16}$ x 25	
		ORF 45 $1 \frac{11}{16}$ x 19	
		KOMATSU FEMALE	
		K 1406	
		K 1810	
		K 2213	
		K 2416	
		K 3019	
		K 3325	
		K 3632	
	K 4238		